



CERTIFIED LIFTING MAGNETS

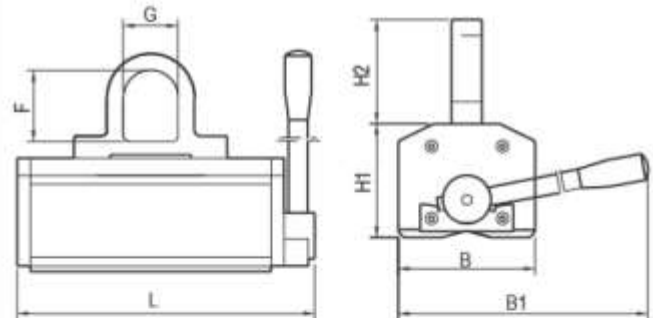
**OSHA
 RE-CERTIFICATION
 SERVICES ARE
 AVAILABLE
 FOR COMPETITIVE
 PRODUCTS ALSO
 \$80.00**

Use: For lifting ferromagnetic material Features:

Lifting capacity up to 11,000 lbs with 1 magnet

- high power to weight ratio
- compact and light
- at least 3 safety factor
- suitable for flat and round material
- maintenance free design
- safety device prevent accidental deactivation
- can be switched off by one hand only

High power "rare earth" Neodymium magnets are individually inspected, tested and certified for quality, lifting capacity and safety factor



All magnetic performances are directly related to the actual size and shape of the part to be held. In addition, air gaps, temperature, metallurgical composition and thickness of the load all play key roles in the performance of a specific magnet.

	Size	Safe Working Load	Width	Length	H1	H2	B1	F	Net Weight	PRICE
PLM	100	100 kg/220 lb	70 (2.76)	130 (5.12)	60 (2.36)	53 (2.09)	176 (6.93)	35 (1.38)	3.5 kg/8 lb	\$ 206
PLM	300	300 kg/660 lb	95 (3.74)	205 (8.07)	83 (3.27)	70 (2.76)	220 (8.66)	47 (1.85)	10 kg/22 lb	\$ 405
PLM	600	600 kg/1320 lb	125 (4.92)	272 (10.71)	104 (4.09)	95 (3.74)	296 (11.65)	64 (2.52)	23 kg/51 lb	\$ 623
PLM	1000	1000 kg/2200 lb	160 (6.30)	318 (12.52)	140 (5.51)	95 (3.74)	410 (16.14)	64 (2.52)	44 kg/97 lb	\$ 985
PLM	2000	2000 kg/4400 lb	160 (6.30)	496 (19.53)	140 (5.51)	120 (4.72)	508 (20.00)	80 (3.15)	72 kg/158 lb	\$ 1,801
PLM	3000	3000 kg/6600 lb	230 (9.06)	510 (20.08)	212 (8.35)	155 (6.10)	600 (23.62)	100 (3.94)	160 kg/352 lb	\$ 3,070
PLM	5000	5000 kg/11000 lb	360 (14.17)	725 (28.54)	261 (10.28)	180 (7.09)	980 (38.58)	100 (3.94)	450 kg/990 lb	\$ 5,109

Unit: mm(in)

Model	Size	Load Plate Max	Plate Min Thickness	Load Round Max	Round Min Thickness	Round Max Diameter
PLM	100	100 kg/220 lb	15 (0.59)	40 kg/88 lb	8 (0.31)	150 (5.9)
PLM	300	300 kg/660 lb	20 (0.79)	120 kg/264 lb	12 (0.47)	180 (7.09)
PLM	600	600 kg/1320 lb	25 (0.98)	240 kg/528 lb	20 (0.79)	250 (9.84)
PLM	1000	1000 kg/2200 lb	40 (1.57)	400 kg/880 lb	25 (0.98)	280 (11.02)
PLM	2000	2000 kg/4400 lb	55 (2.17)	800 kg/1760 lb	35 (1.38)	350 (13.78)
PLM	3000	3000 kg/6600 lb	70 (2.76)	1200 kg/2640 lb	45 (1.77)	400 (15.75)
PLM	5000	5000 kg/11000 lb	85 (3.35)	2000 kg/4400 lb	55 (2.17)	450 (17.7)

Unit: mm(in)